

Date:

Client:

Project:

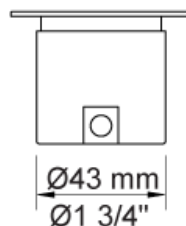
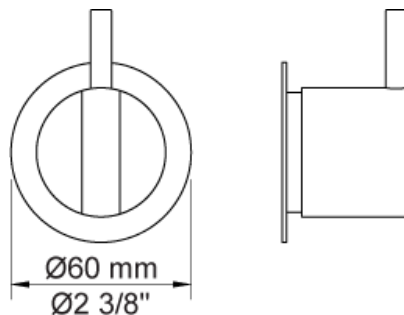


2201

One-handle build-in mixer with ceramic disc technology. 2201UP = Build-in mixer 2200V. 2201AP = Handle NR21, 60 mm circular flange 2001.

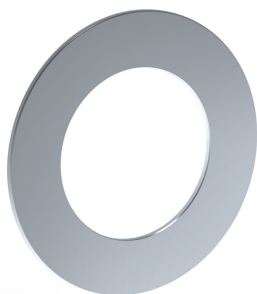
Flow

| | Bar: | 1.0 | 2.0 | 3.0 | 4.0 | 5.0 |
|------|-------------|------------|------------|------------|------------|------------|
| 2201 | (l/min) | 14.4 | 20.4 | 25.0 | 28.9 | 32.3 |

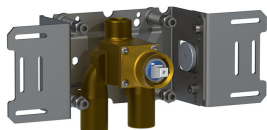
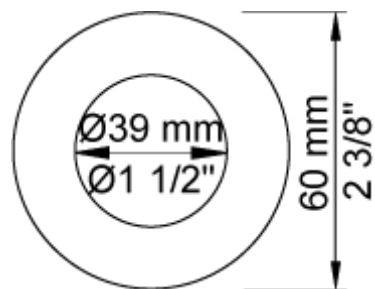


Available in colors

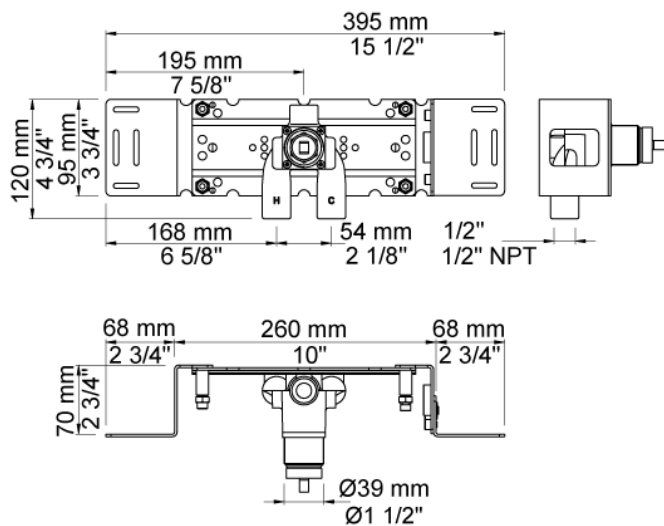
| | |
|---------------------------|-----------------------------------|
| Color 02, Grey | Color 17, Gloss black |
| Color 04, Light blue | Color 18, White |
| Color 05, Orange | Color 19, Natural brass |
| Color 06, Light green | Color 20, Brushed chrome |
| Color 08, Yellow | Color 21, Carmine red |
| Color 09, Dark grey | Color 25, Pink |
| Color 12, Mocca | Color 27, Matt black |
| Color 14, Bright red | Color 28, Matt white |
| Color 15, Dark blue | Color 40, Brushed stainless steel |
| Color 16, Polished chrome | |



2001
60 mm circular flange. Hole Ø39 mm.



2200V
One-handle build-in mixer for high flow. 1/2" connection to copper, steel, iron or pex pipe work.



NR21
Operating handle for 2100, 2200, 2300, 2400 incl. variants. Ø43 mm.

